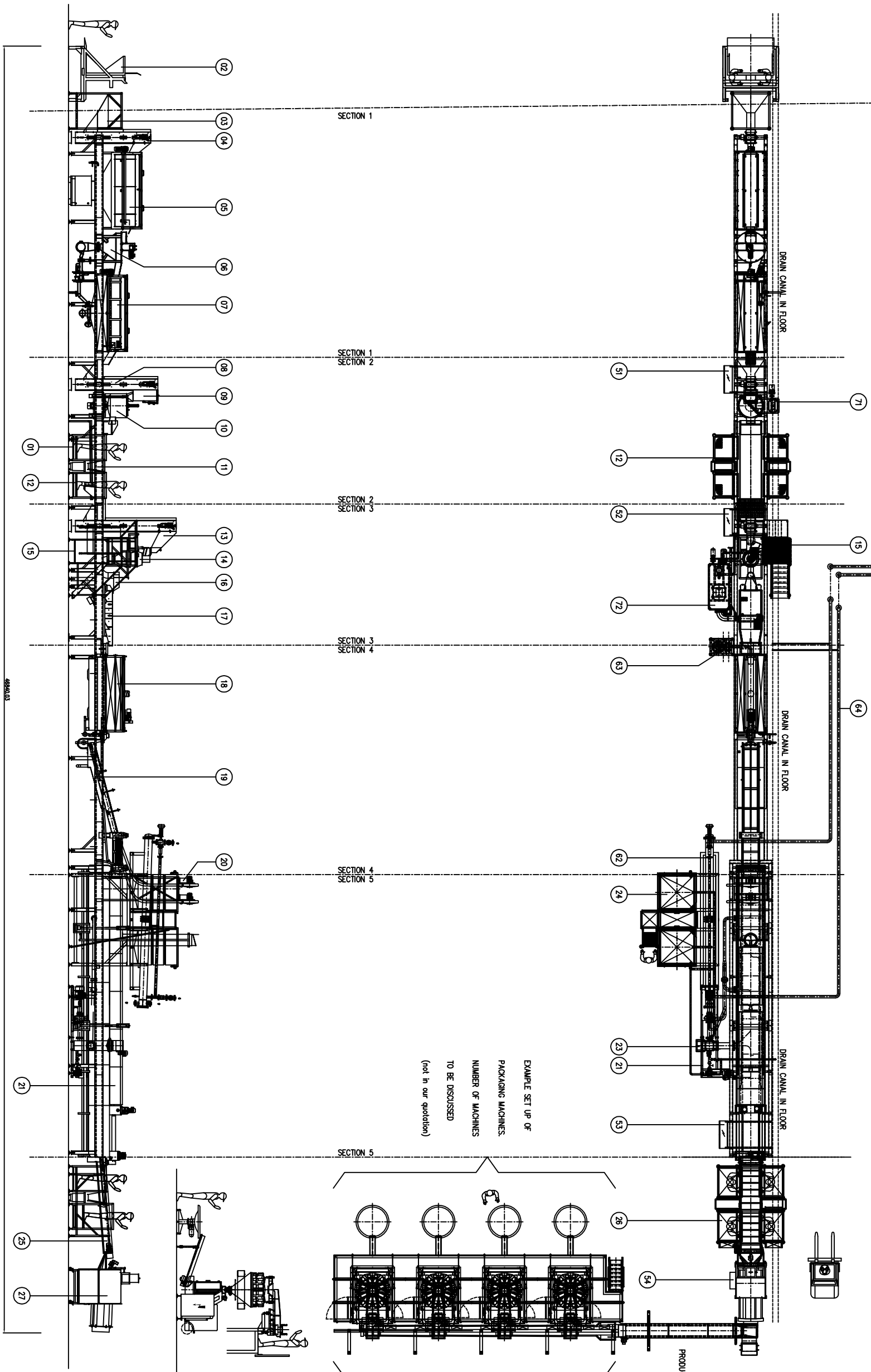
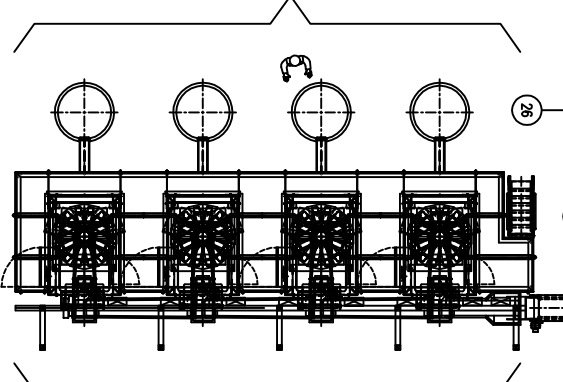


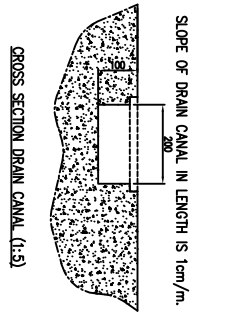
HEATER CAN BE POSITIONED ANY PLACE IN BUILDING



EXAMPLE SET UP OF PACKAGING MACHINES. NUMBER OF MACHINES TO BE DISCUSSED (not in our quotation)



PACKAGING FEED AND DISTRIBUTION SYSTEM (not in our quotation)



SLOPE OF DRAIN CANAL IN LENGTH IS 1cm/m

CROSS SECTION DRAIN CANAL (1:5)

- 01: MAIN SUPPORT FRAME
- 02: CRATE TIPPER
- 03: POTATO COLLECT AND FEED HOPPER
- 04: DOSING ELEVATOR
- 05: DRY CLEANING CAGE
- 06: DE-STONER
- 07: POTATO HOOD WASHER
- 08: ELEVATOR
- 09: DOSING HOPPER
- 10: ABRASIVE PEELER
- 11: INSPECTION BELT PEELED POTATOES
- 12: PLATFORM INSPECTION BELT PEELER
- 13: DOSING ELEVATOR
- 14: SLICER
- 15: PLATFORM FOR KNIVES EXCHANGE
- 16: SLICE WASHING SYSTEM
- 17: VIBRATORY SCREEN DECK
- 18: BLANCHER
- 19: SLICE SPREADING BELT
- 20: AIR KNIVES
- 21: POTATO CHIPS/STICKS FRYER
- 22: FRYING OIL CIRCULATION
- 23: FRYING OIL FILTER
- 24: OIL TANKS
- 25: INSPECTION BELT END PRODUCT
- 26: PLATFORM INSPECTION END PRODUCT
- 27: FLAVOURING UNIT
- 51: CONTROL PANEL
- 52: CONTROL PANEL
- 53: CONTROL PANEL
- 54: CONTROL PANEL
- 61: THERMAL OIL HEATER
- 62: HEAT EXCHANGER
- 63: STEAMBOLLER
- 64: PIPING THERMAL OIL
- 71: WATER TREATMENT PEELING WATER
- 72: WATER TREATMENT SLICE WASHER

POS.	QTY.	DESCRIPTION	REMARKS (UNIT, DRAWING NO., NAME, TYPE, DIM.)
KUIPERS Food Processing Machinery Kuipers Food Processing Product Line 1 3451 Mt. Hornemden The Netherlands Telephone 31-(0)346-422908 Telex 31-(0)346-42213			POTATO CHIPS PLANT PC5000 GENERAL LAYOUT PROPOSAL SINGLE LINE
DRAWING NO.		PC500E-01 TOTAL	
DRAWN		JAN KUIPERS	
DATE		MAR 2009	
SCALE		1:75	
REV.			
CC	FILE	EXCEL	SHPPL